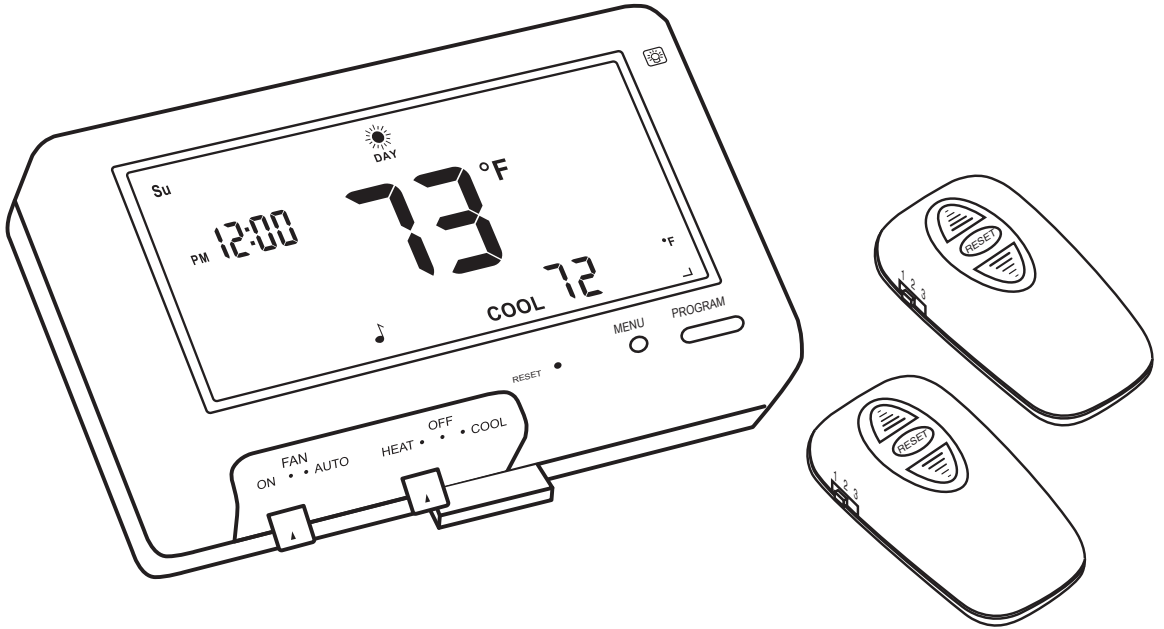


# Install guide 8082

# ritetemp<sup>®</sup>



# Install guide 8082

# ritetemp

## Caution

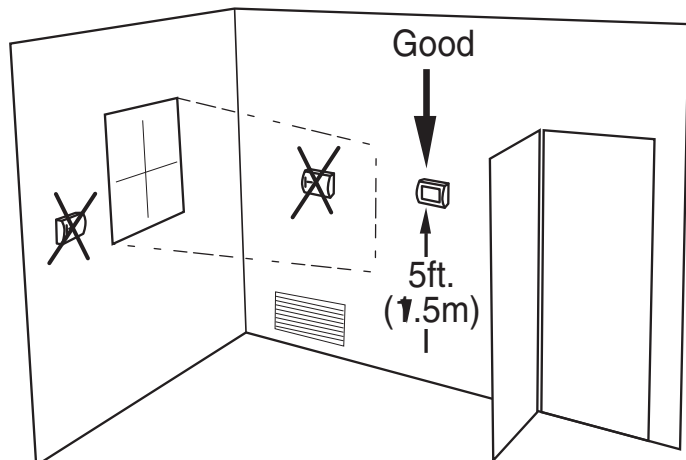
To avoid electrical shock and to prevent damage to the furnace, air conditioner, and thermostat, disconnect the power supply before beginning work. This can be done at the circuit breaker, or at the appliance.

## Tools

You will need #1 Phillips screwdriver (small) and Drill with 3/16-in. (4.8mm) bit for this installation.

## 1 Location

- On replacement installations, mount the new thermostat in place of the old one if possible.
  - On new Installations, follow the guidelines listed below.
  - Locate the thermostat on an inside wall, about 5 ft. (1.5m) above the floor, and in a room that is used often.
  - Do not install it where there are unusual heating conditions, such as: in direct sunlight; near a lamp, radio, television, radiator register, or fireplace; near hot water pipes in a wall; near a stove on the other side of a wall.
- 
- Do not locate in unusual cooling conditions, such as: on a wall separating an unheated room; or in a draft from a stairwell, door, or window.
  - Do not locate in a damp area.  
This can lead to corrosion that will shorten thermostat life.
  - Do not locate where air circulation is poor, such as:  
in a corner or an alcove; or behind an open door.
  - Do not install the unit until all construction work and painting has been completed.
  - This thermostat does not require leveling.



## C A U T I O N

- Your thermostat is a precise instrument.
- Please handle it with care.
- Turn off electricity to the appliance before installing or servicing thermostat or any part of the system. Do not turn electricity back on until work is completed.
- Do not short (jumper) across electric terminals at control on furnace or air conditioner to test the system.
- This will damage the thermostat and void your warranty.
- All wiring must conform to local codes and ordinances.
- This thermostat is designed for use with 24 volt AC and millivolt systems. The thermostat should be limited to a maximum of 1.0 amps; higher amperage may cause damage to the thermostat.

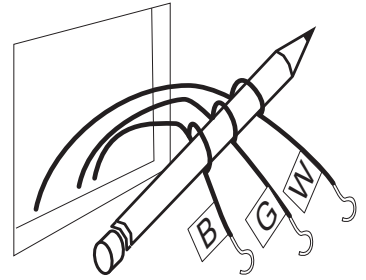
## 2 Remove old unit

- Switch electricity to the furnace and air conditioner **OFF**, then proceed with the following steps.
- Remove cover from old thermostat. Most are snap-on types and simply pull off. Some have locking screws on the side or front. These must be loosened. Note the letters printed near the terminals. Attach labels (enclosed) to each wire for identification.

### Caution

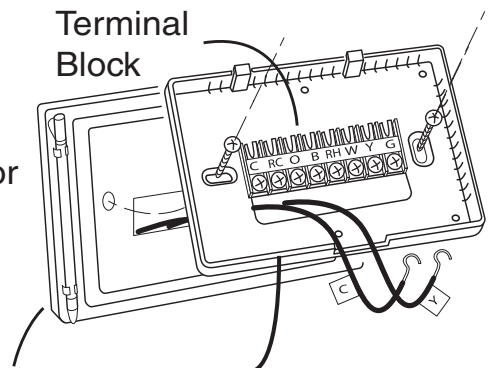
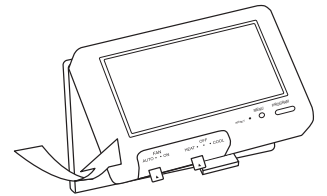
Read instructions carefully before removing any wiring from existing thermostat. Wires must be labeled before they are removed. **THERE IS NO COLOR CODE FOR WIRES.** When removing wires from their terminals, ignore the color of the wires since these may not comply with the standard.

- **CAREFULLY LABEL** the wires one at a time, remove only if labeled.
- Make sure the wires **do not fall back inside** the wall.
- Wind them around a pencil to **keep them from falling**.
- Loosen all screws on the old thermostat and remove it from the wall.
- Fill wall opening with non-combustible insulation to prevent drafts.



## 3 Mount the 8085

- Separate front from back of unit. Press up on the catch on bottom of thermostat and swing the body away from the base, lift up to remove the body from the base.
- Hold the base against the wall, with the wires coming through the opening below the terminal block.
- Position the base for best appearance. (If you chose to use the optional wall plate, hold the wall plate against the wall, with the wires coming through the opening. Then pull the wires through the opening in the base unit. Position the base unit for best appearance.)
- Attach the base to the wall with the two screws provided.
- If you are mounting the base to sheet rock or if you are using the old mounting holes, use the plastic anchors provided. Drill a 3/16-in.(4.8mm) hole for the insert at each screw location, then mount the base.



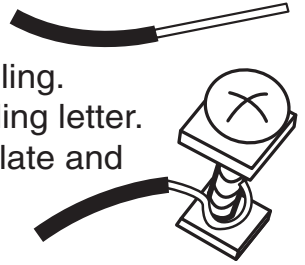
Wall Plate

Thermostat Base

## 4 Before you Connect Wires

Please follow these guidelines for safe and secure wire connections.

- Strip insulation 3/8 in. (9.5mm) from wire ends.  
Take care not to damage the labels for each wire in handling.
- Connect labeled wires only to a terminal with corresponding letter.
- Bend the wire slightly, insert the wire under the contact plate and tighten the screw down onto the wire.



### Caution

**Do not allow wires to touch each other or parts on thermostat. Wires must be routed through the hole in the back plate, below the terminal block, or they will hit parts on the cover.**

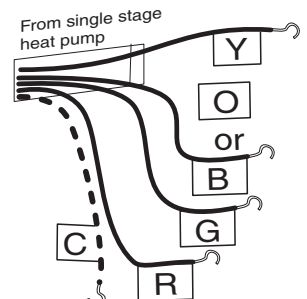
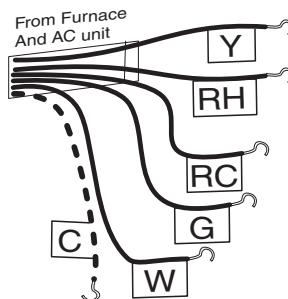
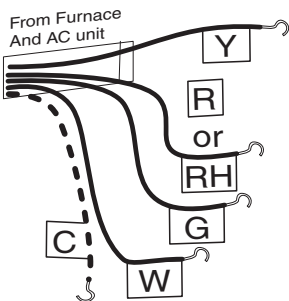
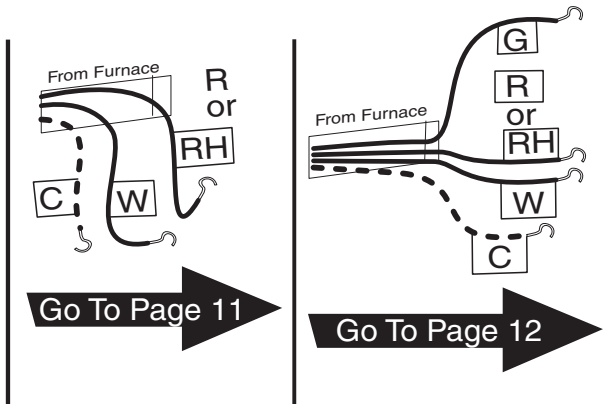
## Optional Wire Connections

Determine which step-by-step wiring diagram you should use. Make sure your wires are labeled. This may require you to find the 'other end' connection for each wire on your heating or air conditioning equipment and read the label there.

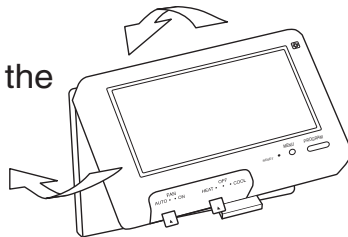
If you have a wire make "C" its connection is optional. If you do connect it, the thermostat will draw power from the C wire and this will extend battery life.

## 5 What Wires Do You Have?

- R - Single source power for heat/cool  
Note: R connects to both RC and RH using the Orange jumper
- RH or 4 - HEATING POWER
- RC - COOLING POWER
- W - HEATING CONTROL
- G - FAN RELAY
- C - Common side of Heating Power
- Y - COMPRESSOR
- O - DAMPER OR CHANGEOVER VALVE (POWERED IN COOL)
- B - DAMPER OR CHANGEOVER VALVE (POWERED IN HEAT)



When you have finished making connections, hook the top of the body onto the base, swing the body down, and snap the body onto the base.

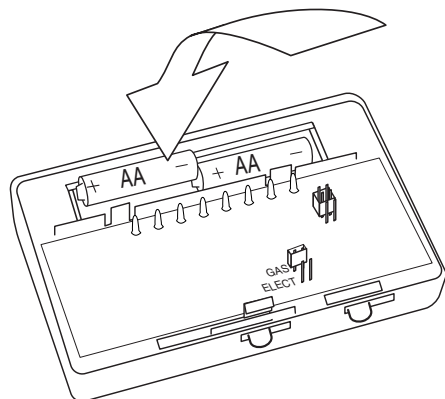


## 5 Install Batteries

- The 8082 requires batteries to operate your furnace and retain its programming in memory.
- Switch MODE switch to OFF and the FAN switch to AUTO.
- Remove the unit from the wall turn it over and install 2 AA alkaline batteries according to the polarity noted in the compartment. Initially, all LCD segments will go on.
- Press the **RESET** button to clear transient program memory.

NOTE: Replace the batteries when this LOW battery indicator appears on the display or once a year. When replacing batteries, you have approximately one minute before your custom program is lost.

**LOWBATT**



## 6 Check Unit

Follow these procedures to verify you have correctly installed the unit.

### • To check HEAT mode:

Set the mode switch to HEAT. Set the fan switch AUTO.

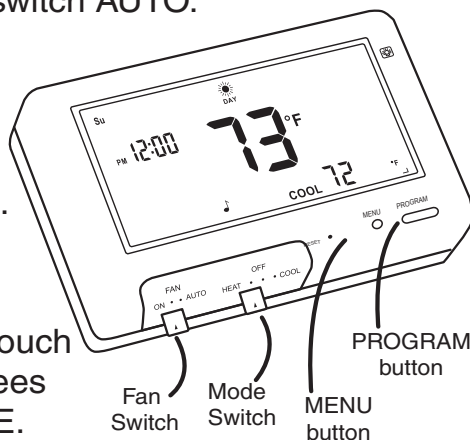
- Touch the main temperature display then touch the TEMP UP arrow to raise the set point to 90deg. Touch HOME. Allow the system 5 min to respond.
- Verify that heat is blowing from the system.

### • To check COOL mode:

- Set the mode switch to COOL.
- Touch the main temperature display then touch the TEMP DOWN button to a temp 5 degrees below the room temperature. Touch HOME.
- Allow the system 5 min to respond. Verify that cool air is blowing from the system.

### • To check Fan: (If you connected the G wire - fan relay)

- Switch Mode to OFF during fan test.
- Switch the FAN switch to the ON position. Verify air is blowing from vents. After test, return to Fan switch to **AUTO**, and Mode to **HEAT** or **COOL**.



**6 Check Unit cont.**

Note: If you have an electric furnace system and the blower does not operate after installation, remove the thermostat, turn it over, and find the electric/gas heat selector jumper on the back of the control unit. Switch the Gas/Elect. jumper to Elect. to "Elect"(see Diag below).

**Congratulations**, you have successfully installed your unit. Please proceed to the OPERATING Guide to initialize the new thermostat. **REMEMBER, Mode Switch must be in HEAT or COOL to operate.**

**7 Power Options**

**1) The 8082 can run on batteries only.** (2AA Alkaline) 24VAC and MV  
The batteries will last well over 1 year. If the batteries are not replaced the thermostat will stop working. **Use the MV/C power jumper position.**

**2) The 8082 can run on the C wire if available.** 24VAC ONLY  
As shown in the wiring diagrams, The C wire is the other side of the 24VAC heating transformer. If the C wire is used, the batteries are then for AC power loss only and will last much longer. The thermostat will continue working if the batteries die. **Use the MV/C power jumper position.**

**FOR ADVANCED USERS ONLY**

**3) The 8082 can run on 24VAC series power.**

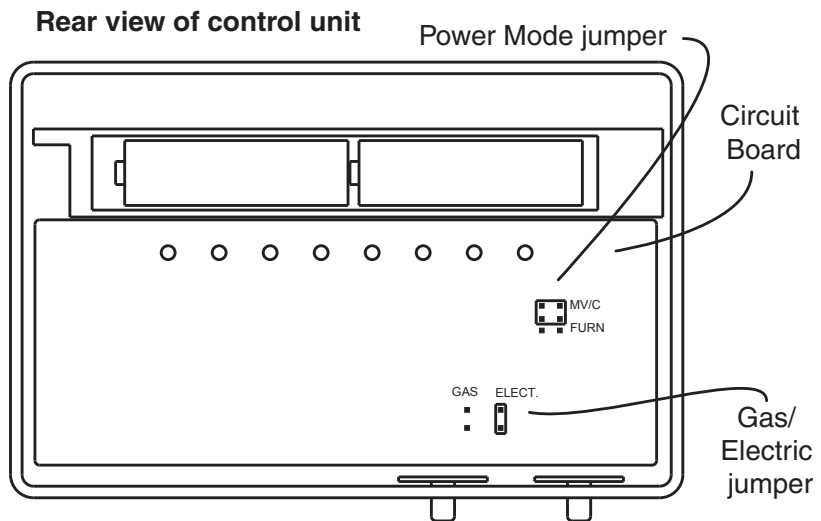
Power for the thermostat is borrowed from the furnace relay. Therefore this options ONLY works with 24VAC systems, and with a heat relay current of between .2 and .6 amps. Do not use the FURN mode unless this current can be verified by a heating contractor. The batteries are then for AC power loss only and will last much longer. The thermostat will continue working if the batteries die. **Use the FURN power jumper position.**

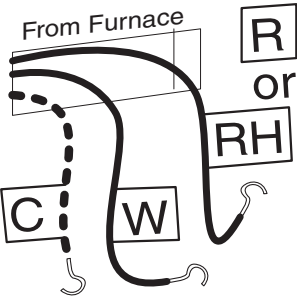
**FOR ADVANCED USERS ONLY**

24VAC ONLY

To locate the Power Mode Jumpers. Remove the control unit from the wall mount, turn it over, and locate the jumper. It is set at the factory on MV/C. Change it from MV/C to FURN to use series power.

**NOTE:** This option works with 24VAC, .2 to .6 amp. systems only. Verify operation. If it doesn't work go back to options 1 or 2 above.



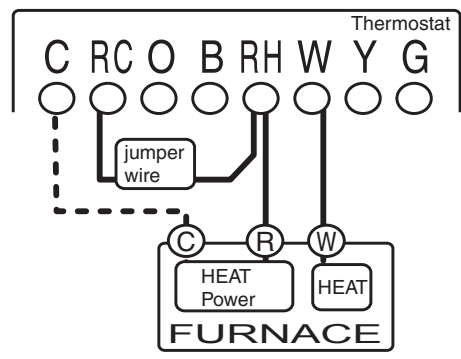


**STEP 1 -** Connect the R (or RH) wire to the RH terminal on the thermostat. This connects the Heater Power to the thermostat.

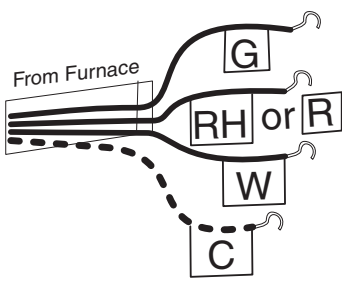
**STEP 2 -** Connect the W wire to the W terminal on the thermostat. This connects the heater control line to the thermostat.

Your Heater is now connected to the thermostat.

**2 WIRE Heating (GAS MILLIVOLT or 24vac)**



NOTE: Wires marked with the dotted line are optional.



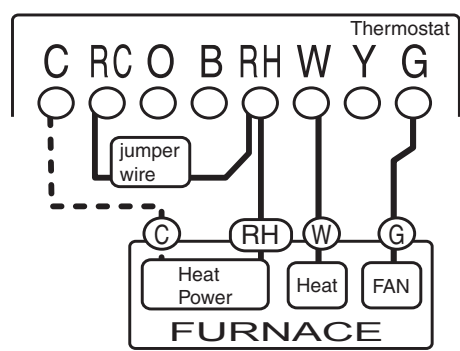
**STEP 1 -** Connect the R (or RH) wire to the RH terminal on the thermostat. This connects to the Heater Power .

**STEP 2 -** Connect the W wire to the W terminal on the thermostat. This connects the heater control line to the thermostat.

**STEP 3 -** Connect the G wire to the G terminal on the thermostat. This connects the Fan to the thermostat.

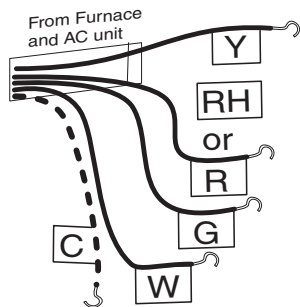
Your system is now connected to the thermostat.

**3 WIRE**



NOTE: Wires marked with the dotted line are optional.





**STEP 1 -** Connect the Y wire to the Y terminal on the thermostat. This connects to the Cooler compressor.

**STEP 2 -** Connect the RH or R wire to the RH terminal on the thermostat.

This connects the Heater/Cooler Power.

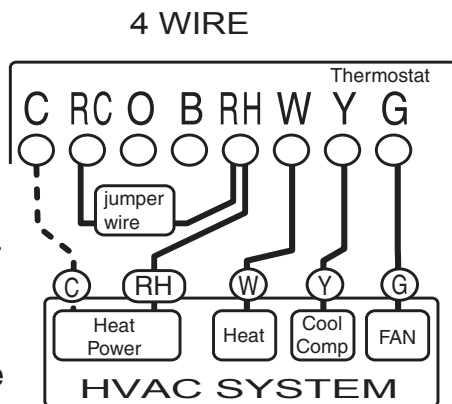
**STEP 3 -** Connect the W wire to the W terminal on the thermostat.

This connects to the heater control line.

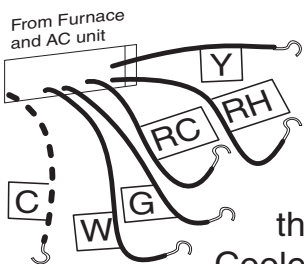
**STEP 4 -** Connect the G wire to the G terminal on the Thermostat.

This connects to the Fan.

Your HVAC system is now connected to the thermostat.



**NOTE:** Wires marked with the dotted line are optional.



**STEP 1 -** Remove the orange Jumper wire.

**STEP 2 -** Connect the Y wire to the Y terminal on the thermostat. This connects to the Cooler compressor.

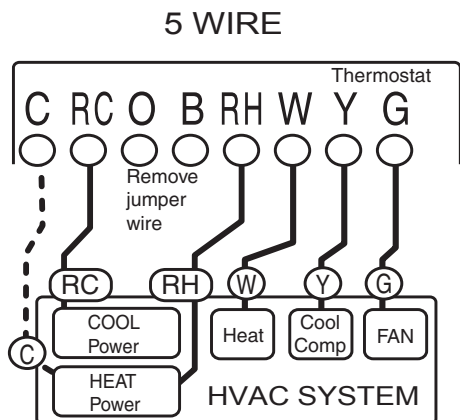
**STEP 3 -** Connect the RH wire to the RH terminal on the thermostat. This connects to the Heater Power .

**STEP 4 -** Connect the RC wire to the RC terminal on the thermostat. This connects to the Cooling Power .

**STEP 5 -** Connect the W wire to the W terminal on the thermostat. This connects to the heater control line.

**STEP 6 -** Connect the G wire to the G terminal on the Thermostat. This connects to the Fan.

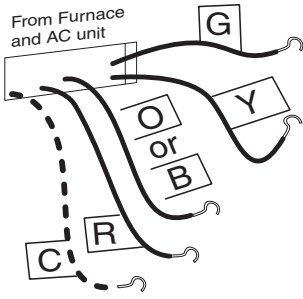
Your HVAC system is now connected to the thermostat.



**NOTE:** Wires marked with the dotted line are optional.







**STEP 1 -** Connect the G wire to the G terminal on the thermostat.

This connects the Fan.

**STEP 2 -** Add a jumper wire between W and Y.

**STEP 3 -** Connect the Y wire to the Y terminal on the thermostat.

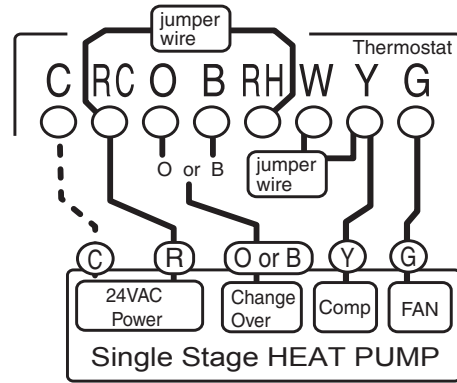
This connects the Compressor.

**STEP 4 -** Connect the O or B wire to the O or B terminal on the thermostat. (If you have both O and B contact Ritetemp or your local HVAC contractor for further help) This connects the change over valve.

**STEP 5 -** Connect the R wire to the RC terminal on the Thermostat. This connects to the 24vac power.

Your HVAC system is now connected to the thermostat.

### SINGLE STAGE HEAT PUMP



**Return To Page 7**

**NOTE:** Wires marked with the dotted line are optional.

## 8082 Features

The 8082 can be used with most 24 volt gas, oil or electric heating and air conditioning systems, single-stage heat pumps or gas millivolt heating systems. It cannot be used with 120 volt heating systems or multistage heat pumps. Ask The Home Depot for other thermostats to control those systems.

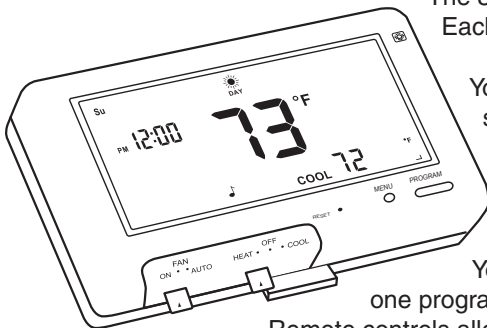
The 8082 is programmable. There are four programming periods per day. Each period can be programmed separately.

You can use the built-in time/temperature programs, or alter them to suit your schedule.

The 8082 separately programs each weekday, Saturday, and Sunday - for both heating and cooling.

You can easily override the programmed temperatures for as little as one programming period or for an entire vacation.

Remote controls allow you to manually override from the comfort of your living room, up to 30 ft from the thermostat.



The large liquid crystal touch screen display shows time, day of the week, room and set temperatures. It will also remind you when the filter should be changed in your blower.

Built-in Electro Luminescent backlight gives high visibility illumination of the display even in total darkness.

A 4-minute minimum off time in COOL protects your air conditioning system from being damaged.