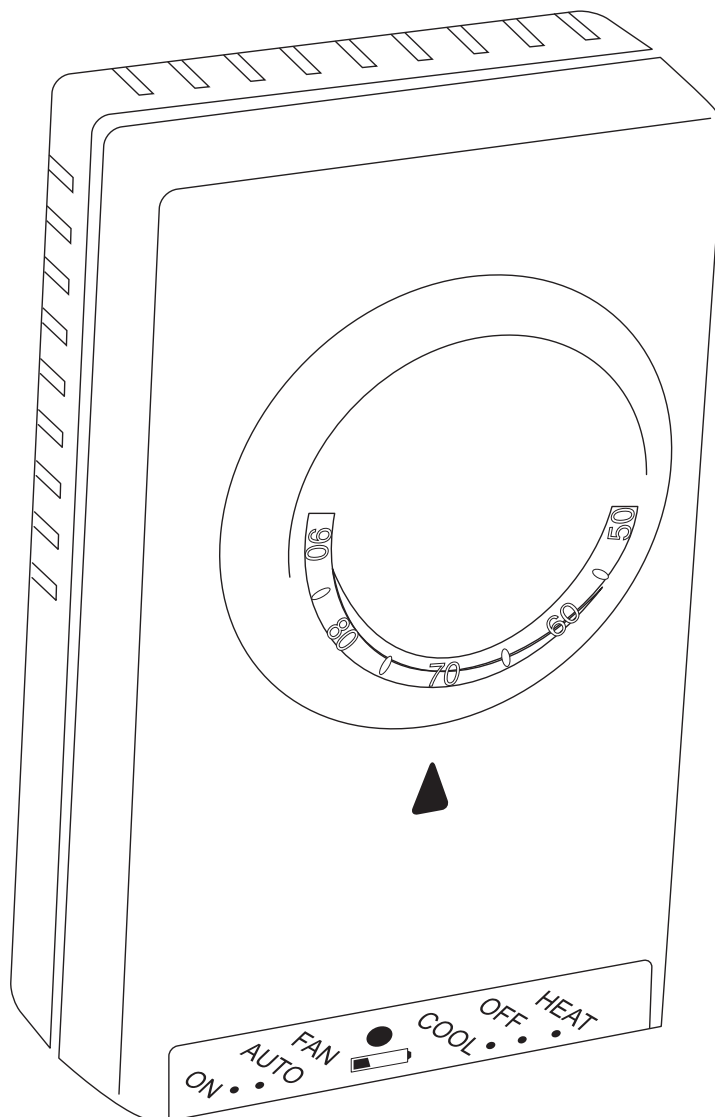

Install Guide 6008 □□□□□□□□ ritētemp[®]



Install Guide 6008 ritētemp[®]

Caution

To avoid electrical shock and to prevent damage to the furnace, air conditioner, and thermostat, disconnect the power supply before beginning work. This can be done at the circuit breaker, or at the appliance.

Tools

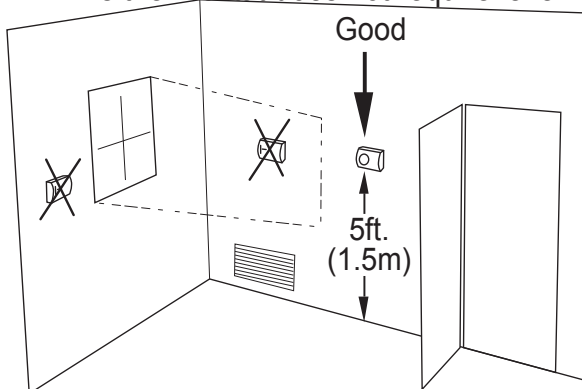
You will need #1 Phillips screwdriver (small) and Drill with 3/16-in. (4.8mm) bit for this installation.

Location

PG 1

- On replacement installations, mount the new thermostat in place of the old one if possible.
- On new Installations, follow the guidelines listed below.
- Locate the thermostat on an inside wall, about 5 ft. (1.5m) above the floor, and in a room that is used often.
- Do not install it where there are unusual heating conditions, such as: in direct sunlight; near a lamp, radio, television, radiator register, or fireplace; near hot water pipes in a wall; near a stove on the other side of a wall.

- Do not locate in unusual cooling conditions, such as: on a wall separating an unheated room; or in a draft from a stairwell, door, or window.
- Do not locate in a damp area. This can lead to corrosion that will shorten thermostat life.
- Do not locate where air circulation is poor, such as: in a corner or an alcove; or behind an open door.
- Do not install the unit until all construction work and painting has been completed.
- This thermostat does not require leveling.



PG 2

CAUTION

- Your thermostat is a precise instrument. Please handle it with care.
- Turn off electricity to the appliance before installing or servicing thermostat or any part of the system. Do not turn electricity back on until work is completed.
- Do not short (jumper) across electric terminals at control on furnace or air conditioner to test the system. This will damage the thermostat and void your warranty.
- All wiring must conform to local codes and ordinances.
- This thermostat is designed for use with 24 volt AC and millivolt systems. The thermostat should be limited to a maximum of 1.0 amps; higher amperage may cause damage to the thermostat.

Label Wires to Old Unit

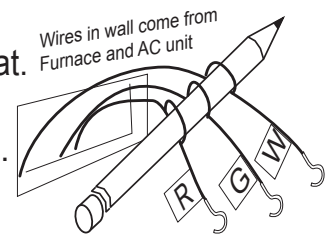
- Switch electricity to the furnace and air conditioner OFF; then proceed with the following steps.
- Remove cover from old thermostat. Most are snap-on types and simply pull off. Some have locking screws on the side or front. These must be loosened.
- Note the letters printed near the terminals.
- Carefully attach labels (enclosed) to each wire. Label the wires one at a time.
You must have all the wires labeled before you proceed.

Caution

DO NOT REMOVE WIRES FROM OLD THERMOSTAT UNTIL YOU HAVE CAREFULLY LABELED THEM, WITH LABELS PROVIDED. THERE IS NO STANDARD COLOR CODE FOR THESE WIRES.

Remove old unit

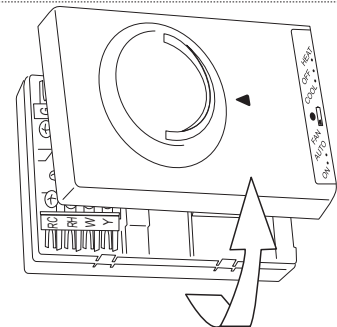
- Remove the wires from the terminals of the old thermostat.
- Make sure the wires **do not fall back inside** the wall. Wind them around a pencil to **keep them from falling**.
- Remove the old thermostat from the wall. Fill wall opening with fiber glass insulation to prevent drafts.



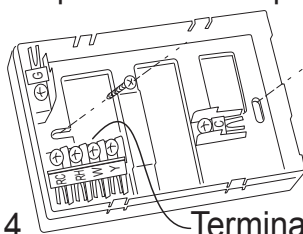
PG 3

Mount the 6008

- Separate front from back of unit. Grasp the front of the unit and the back of the unit and pull apart. The thermostat body away from the base.
- Hold the base against the wall, with the wires coming through the opening below the terminal block.
- Position the base for best appearance
- The 6008 can be mounted vertically or horizontally. choose the position that best suites your wall.
- Attach the base to the wall with the two screws provided.
- If you are mounting the base to sheet rock or if you are using the old mounting holes, use the plastic anchors provided.

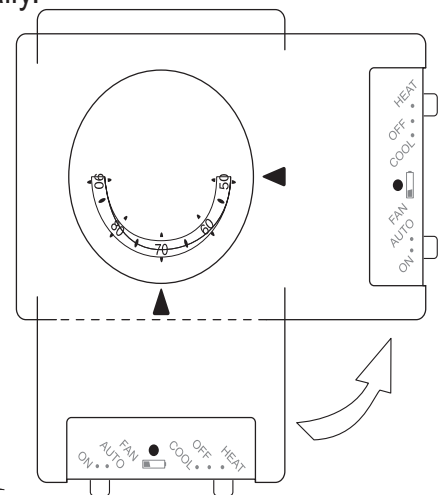


PG 4



Terminal Block

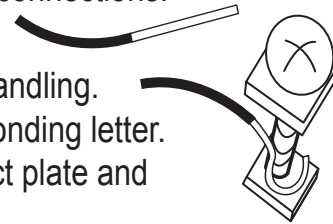
Drill a 3/16-in. (4.8mm) hole for the insert at each screw location, then mount the base.



Before you Connect Wires

Please follow these guidelines for safe and secure wire connections.

- Strip insulation 3/8 in. (9.5mm) from wire ends.
- Take care not to damage the labels for each wire in handling.
- Connect labeled wires only to a terminal with corresponding letter.
- Bend the wire slightly, insert the wire under the contact plate and tighten the screw down onto the wire.



Caution

Do not allow wires to touch each other or parts on thermostat. Wires must be routed through the hole in the back plate, below the terminal block, or they will hit parts on the cover.

Optional Wire Connections

Determine which step-by-step wiring diagram you should use. Make sure your wires are labeled. This may require you to find the 'other end' connection for each wire on your heating or airconditioning equipment and read the label there.

If you have a wire marked "C" its connection is optional. If you do connect it the thermostat will draw power from the C wire and this will extend battery life.

PG 5

What Wires Do you Have?

R - Single source power for heat/cool
Note: R connects to both RC and

RH using the Orange jumper

RH or 4 - HEATING POWER

RC - COOLING POWER

W - HEATING CONTROL

G - FAN RELAY

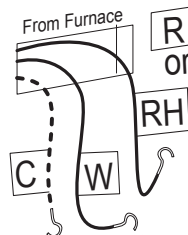
C - Common side of Heating Power

Y - COMPRESSOR

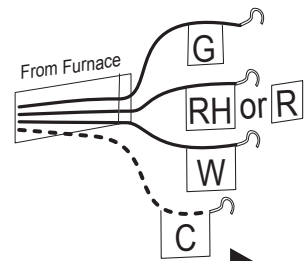
O - If you have this wire the 6008 will not control your system.

B - If you have this wire the 6008 will not control your system.

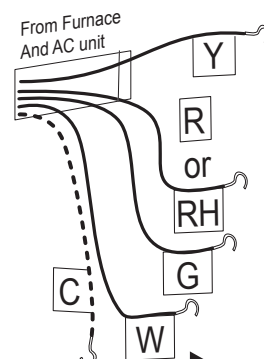
PG 6



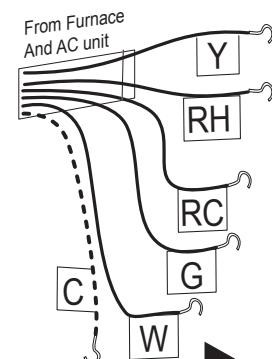
Go To Page 11



Go To Page 12



Go To Page 13



Go To Page 14

Wiring complete

- When you have finished making connections. Re-attach the the body onto the base by pressing it firmly onto the base.

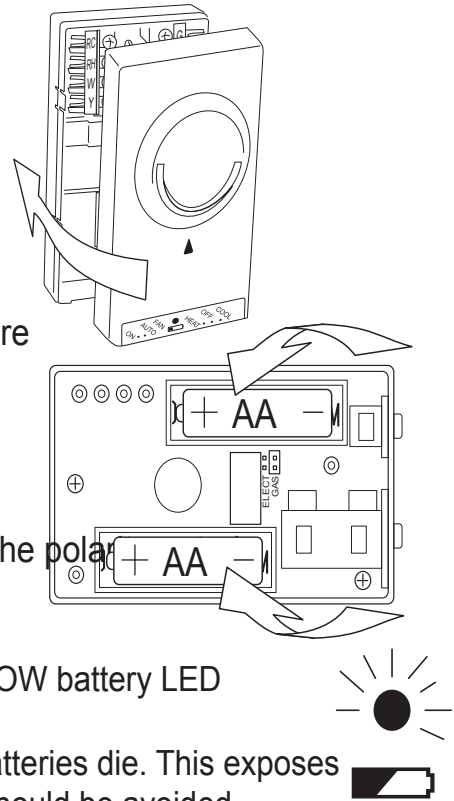
Install Batteries

- The 6008 requires 2AA batteries if the C-wire is not available in your furnace installation.
- Switch MODE switch to OFF and the FAN switch to AUTO.
- Remove the control unit form the wall unit. Install 2 AA alkaline batteries according to the polar

(DO NOT USE Rechargeable Batteries)

NOTE: Replace the batteries when the red LOW battery LED indicator blinks or once a year.

Caution: The thermostat will go "off" if the batteries die. This exposes your house to unexpected heat or cold and should be avoided.



PG 7

Check Unit

- Follow these procedures to verify you have correctly installed the unit.

To check Fan: (If you connected the G wire - fan relay)

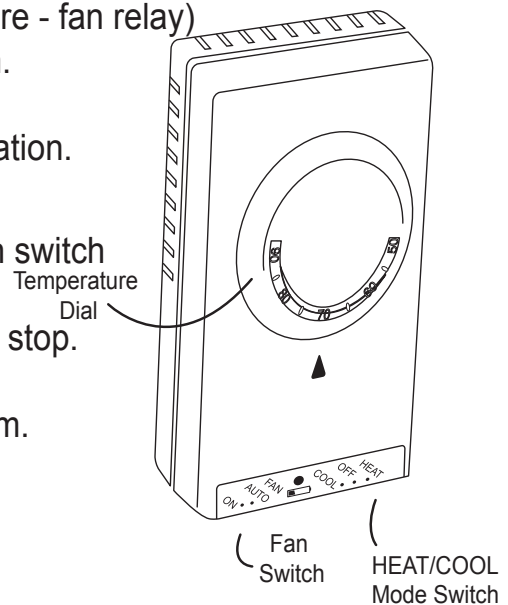
- Switch the FAN switch to the ON position.
- Verify that air is blowing from the system.
- Return to AUTO position for normal operation.

To check HEAT mode:

- Set the mode switch to HEAT. Set the fan switch AUTO.
- Turn TEMP DIAL counter clockwise to its stop. Allow the system 5 min to respond.
- Verify that heat is blowing from the system.

To check COOL mode:

- Turn TEMP DIAL clockwise to its stop.
- Allow the system 5 min to respond.
- Verify that cool air is blowing from the system.

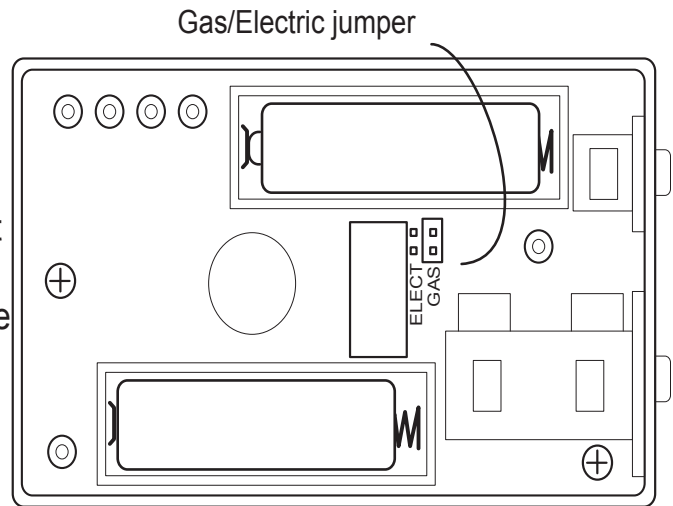


PG 8

Check Unit cont.

Note:

If you have electric heat, turn the thermostat over and find the GAS/ELECTRIC heat selector on the back of the control unit(see diagram below). Move the selector jumper to the ELECT position.



Congratulations, you have successfully installed your unit. Please proceed to the OPERATING Guide to initialize the new thermostat.

PG 9

Power Options

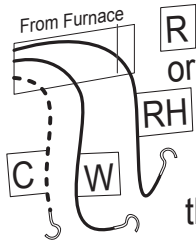
1) The 6008 can run on batteries only. (2AA Alkaline)

The batteries will last well over 1 year. If the batteries are not replaced the thermostat will stop working.

2) The 6008 can run on the C wire if available. 24VAC ONLY

As shown in the wiring diagrams, The C wire is the other side of the 24VAC heating transformer. If the C wire is used, the batteries are not needed.

PG 10



STEP 1 - Connect the **R** (or RH) wire to the **RH** terminal on the thermostat.

This connects the Heater Power to the thermostat.

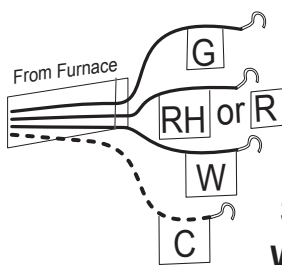
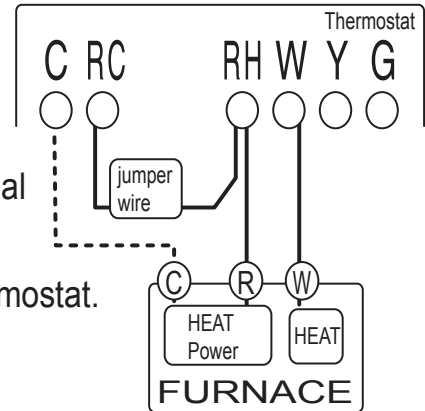
STEP 2 - Connect the **W** wire to the **W** terminal on the thermostat.

This connects the heater control line to the thermostat.

Your Heater is now connected to the thermostat.

NOTE: Wires marked with the dotted line are optional.

**2 WIRE Heating
(GAS MILLIVOLT or 24vac)**



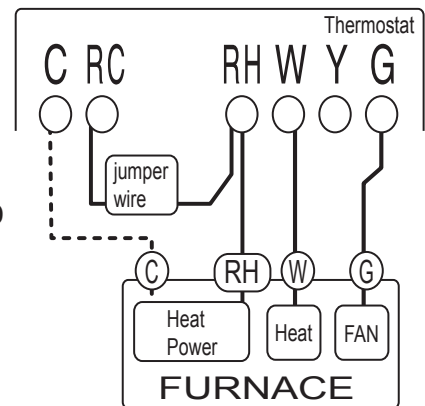
STEP 1 - Connect the **R** (or RH) wire to the **RH** terminal on the thermostat. This connects to the Heater Power.

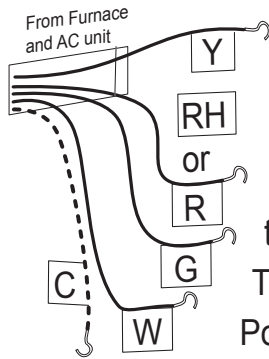
STEP 2 - Connect the **W** wire to the **W** terminal on the thermostat. This connects the heater control line to the thermostat.

STEP 3 - Connect the **G** wire to the **G** terminal on the thermostat. This connects the Fan to the thermostat.

Your system is now connected to the thermostat.
NOTE: Wires marked with the dotted line are optional.

3 WIRE





STEP 1 - Connect the **Y** wire to the **Y** terminal on the thermostat. This connects to the Cooler compressor.

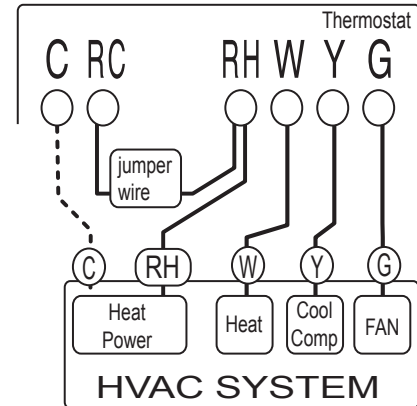
STEP 2 - Connect the **RH** or **R** wire to the **RH** terminal on the thermostat. This connects the Heater/Cooler Power.

STEP 3 - Connect the **W** wire to the **W** terminal on the thermostat. This connects to the heater control line.

STEP 4 - Connect the **G** wire to the **G** terminal on the Thermostat. This connects to the Fan.

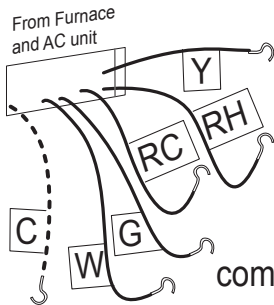
Your HVAC system is now connected to the thermostat.

4 WIRE



Return To Page 7

PG 13 NOTE: Wires marked with the dotted line are optional.



STEP 1 - Remove the orange Jumper wire.

STEP 2 - Connect the **Y** wire to the **Y** terminal on the thermostat. This connects to the Cooler compressor.

STEP 3 - Connect the **RH** wire to the **RH** terminal on the thermostat. This connects to the Heater Power .

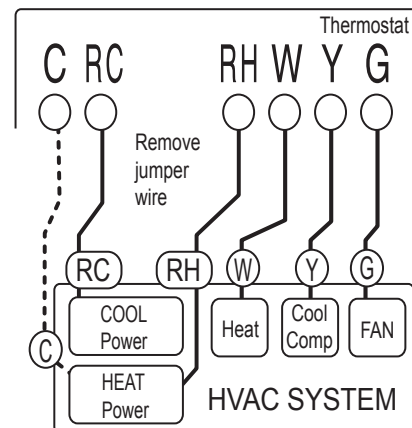
STEP 4 - Connect the **RC** wire to the **RC** terminal on the thermostat. This connects to the Cooling Power .

STEP 5 - Connect the **W** wire to the **W** terminal on the thermostat. This connects to the heater control line.

STEP 6 - Connect the **G** wire to the **G** terminal on the Thermostat. This connects to the Fan.

Your HVAC system is now connected to the thermostat.

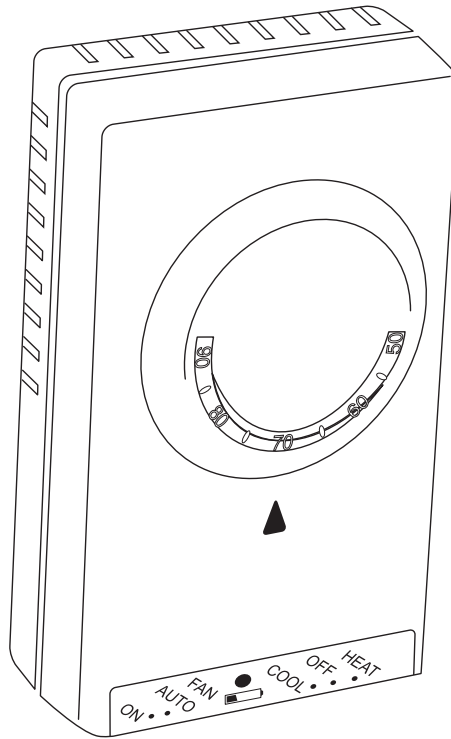
5 WIRE



Return To Page 7

PG 14 NOTE: Wires marked with the dotted line are optional.

6008 Features



The 6008 can be used with most 24 volt gas, oil or electric heating and air conditioning systems, or gas millivolt heating systems. It cannot be used with 120 volt heating systems or heat pump systems. Ask The Home Depot for other thermostats to control those systems.

The 6008 is digital. You can program your desired Heat and cool temperature by setting the dial. The unit uses no harmful mercury.

A 5-minute minimum off time in COOL protects your air conditioning system from being damaged.

Two "AA" batteries (not included) are used to run the thermostat in some installation. "C" wire installations require no batteries.

Customer Support: 877-505-2353
or Visit our website www.ritetemp-thermostats.com

1611-013